

Thin trim, ultra-slim architectural LED downlight

- ✓ Improved aesthetics with machined aluminium bezel
- ✓ Minimal dimensions and ultra-slim design
- ✓ Incredibly low maintenance
- ✓ Designed & produced in the UK
- ✓ Mains dimming as standard
- ✓ DALI, 1-10V & Casambi dimming
- ✓ Emergency options available
- ✓ <3 SDCM colour consistency
- ✓ Ultra-wide beam angle



upto
114
Lm/cW

Fire rated
30 & 60min fire rated

IP65
Bathrooms & wet areas

Fast install
Plug+Play push connector

Excellent CRI
Ra80+ & Ra90+ options

Mains dimming
as standard

Part L1&L2
& ECA compliant*

Zero DB
Acoustic rated*

50,000hr
Expected lifetime

5 year
Ext. warranty*

*For ECA compliance seek qualified accounting advice to check if your specific product / project is eligible. Driver not acoustically tested. Adjustable fittings: IP65 light engine only. All lumen, power & efficacy figures are +/- 10% @25°C ambient temp. Must register warranty online. Information correct at the time of writing and can change at any given time without notice. For the most up-to-date information, visit neoled.co.uk

Order Information

+3 Maintained emergency pack, +S Self Test emergency pack, +D DALI emergency pack
For Ra90+ option, swap '8' for '9' Eg 827 = 927



Ultra Warm 2700K
569Lm, 98Lm/cW, Ra80+

Warm 3000K
586Lm, 101Lm/cW, Ra80+

Neutral 4000K
635Lm, 110Lm/cW, Ra80+



Ultra Warm 2700K
801Lm, 102Lm/cW, Ra80+

Warm 3000K
824Lm, 105Lm/cW, Ra80+

Neutral 4000K
894Lm, 114Lm/cW, Ra80+

Accessories



NEO.HA1
1 Part hole adapter (90mm-105mm)

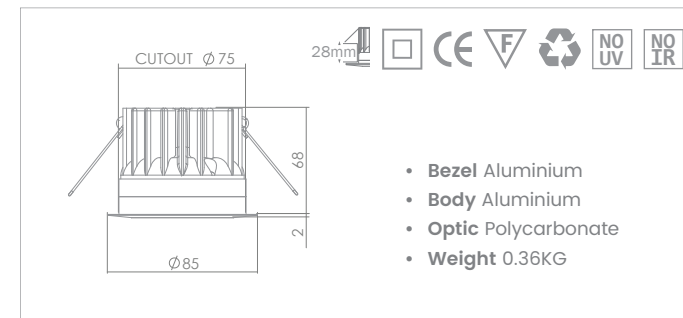


NEO.HA2
2 Part hole adapter (105mm-170mm)



NEO.IS1
Thermal insulation spacer

*Fitting not included



Add to end of code
/BL Matt Black
Contact Sales for custom paint finishes