

- ✓ Adjustable bezel ideal for lighting walls
- ✓ Incredibly low maintenance
- ✓ Designed & produced in the UK
- ✓ Mains dimming as standard
- ✓ DALI, 1-10V & Casambi dimming options
- ✓ Various emergency options available
- ✓ <3 SDCM colour consistency
- ✓ Ultra-wide beam angle



- Fire rated Option**
via fire hood accessory
- IP65**
Bathrooms & wet areas
- Fast install**
Plug+Play push connector
- Excellent CRI**
Ra80+ & Ra90+ options
- Mains dimming**
as standard
- Part L1&L2**
& ECA compliant*
- Zero DB**
Acoustic rated*
- 50,000hr**
Expected lifetime
- 5 year**
Ext. warranty*

*For ECA compliance seek qualified accounting advice to check if your specific product / project is eligible. Driver not acoustically tested. Adjustable fittings: IP65 light engine only. All lumen, power & efficacy figures are +/- 10% @25°C ambient temp. Must register warranty online. Information correct at the time of writing and can change at any given time without notice. For the most up-to-date information, visit neoled.co.uk

Order Information

*Emergency version supplied in a locked tilt position

+3 Maintained emergency pack, +S Self Test emergency pack, +D DALI emergency pack
For Ra90+ option, swap '8' for '9' Eg 827 = 927

5.8W Matt White	Mains Dimmable	1-10V Dimming	DALI Dimming	Casambi Dimming NEW
Ultra Warm 2700K 549Lm, 95Lm/cW, Ra80+	NEO.AJ6.827.M	NEO.AJ6.827.A	NEO.AJ6.827.D	NEO.AJ6.827.C

Warm 3000K 565Lm, 98Lm/cW, Ra80+	NEO.AJ6.830.M	NEO.AJ6.830.A	NEO.AJ6.830.D	NEO.AJ6.830.C
Neutral 4000K 613Lm, 106Lm/cW, Ra80+	NEO.AJ6.840.M	NEO.AJ6.840.A	NEO.AJ6.840.D	NEO.AJ6.840.C

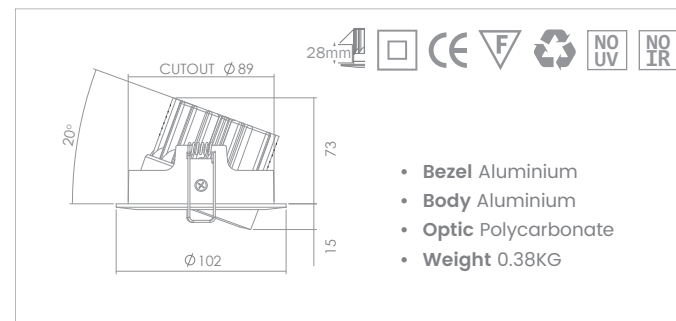
7.8W Matt White	Mains Dimmable	1-10V Dimming	DALI Dimming	Casambi Dimming NEW
Ultra Warm 2700K 773Lm, 99Lm/cW, Ra80+	NEO.AJ8.827.M	NEO.AJ8.827.A	NEO.AJ8.827.D	NEO.AJ8.827.C

Warm 3000K 795Lm, 102Lm/cW, Ra80+	NEO.AJ8.830.M	NEO.AJ8.830.A	NEO.AJ8.830.D	NEO.AJ8.830.C
Neutral 4000K 863Lm, 110Lm/cW, Ra80+	NEO.AJ8.840.M	NEO.AJ8.840.A	NEO.AJ8.840.D	NEO.AJ8.840.C

Accessories

	NEO.HA3 1 Part hole adapter (90mm-105mm)		NEO.FH1 Fire Hood
	NEO.HA4 2 Part hole adapter (105mm-170mm)		NEO.IS1 Thermal insulation spacer

*Fitting not included



Choice of finish

/BL

/XX

Add to end of code
/BL Matt Black
Contact Sales for custom paint finishes